

Auxiliary Power Unit (APU) Removal

DHC-8 100/200/300

Aircraft Applicability

- DHC-8-100
- DHC-8-200
- DHC-8-300

Benefits

- Removes unnecessary weight from aircraft if APU is not required

STC Kit Content

- Instructions and drawing package for APU removal
- Rework instructions for existing Fire Extinguisher Control Panel
- Certification documentation

Typical Lead Time

- 1 Week ARO

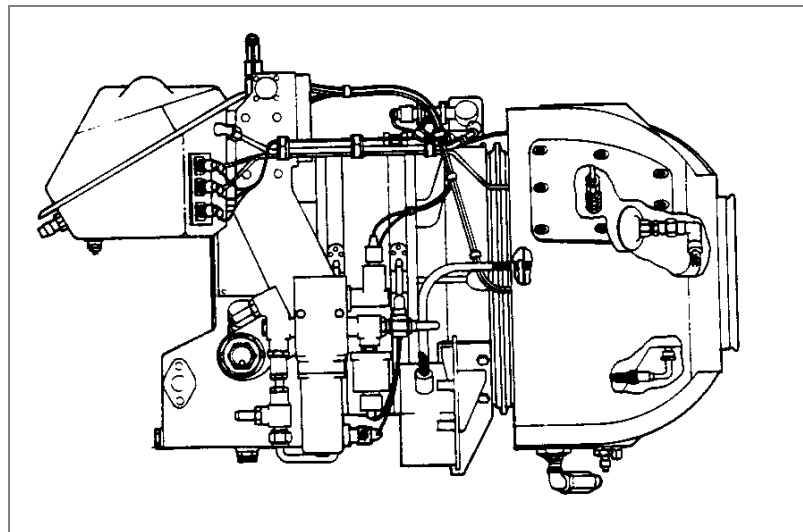
Certification Basis

- TC STC #SA98-30
- FAA STC #ST00801NY
- EASA STC #10035887

The Field Aerospace APU removal STC for the DHC-8 provides the operator with a procedure for removing the deHavilland Special Order Option (SOO 8155) Auxiliary Power Unit.

Removal of the APU includes the following:

- Removal of the APU, Starter Generator and miscellaneous accessories
- Removal of the APU structural mounting provisions
- Removal of the associated ducting AFT of the pressure bulkhead
- Removal of the drain lines and welded drain mast and installation of blanking doublers
- Capping and stowing the associated electrical harnesses
- Draining, capping and stowing the APU fuel supply lines
- Removing the control heads for the APU system and installation of blanking provisions



Delivery

Typical lead time is approximately 1 week ARO.